



Refrigerated Sandwich Prep Units

Models PT-CN-0686-HC, 1194-HC, 1524-HC, 1778-HC, 0711-HC,
1194-H, 1537-HC

Items 50045, 50046, 50047, 50048, 50049, 50050, 50051

Instruction Manual



Revised - 08/17/2022



Toll Free: 1-800-465-0234
Fax: 905-607-0234
Email: service@omcan.com
www.omcan.com

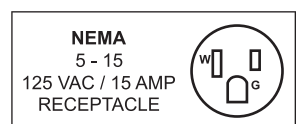


Table of Contents

Model PT-CN-0686-HC / Model PT-CN-1194-HC / Model PT-CN-1524-HC
Model PT-CN-1778-HC / Model PT-CN-0711-HC / Model PT-CN-1194-H
Model PT-CN-1537-HC

Section	Page
Disclaimer -----	3
General Information -----	4 - 5
Safety and Warranty -----	5 - 7
Technical Specifications -----	7 - 8
Installation -----	8 - 10
Maintenance -----	10 - 11
Troubleshooting -----	11 - 12
Controller Instructions -----	13 - 15
Parts Breakdown -----	16 - 29
Electrical Schematics -----	30 - 36
Notes -----	37 - 38
Warranty Registration -----	39

Disclaimer

OMCAN IS NOT RESPONSIBLE FOR ANY DAMAGES DUE TO WATER LEAKS. WARRANTY FOR WATER LEAKS IS VOID IF THE AMBIENT ROOM TEMPERATURE EXCEEDS 75°F AND 55% RELATIVE HUMIDITY, AND THE APPLIANCE DRAIN IS NOT CONNECTED DIRECTLY TO A FLOOR DRAIN.

General Information

Omcan Manufacturing and Distributing Company Inc., Food Machinery of America, Inc. dba Omcan and Omcan Inc. are not responsible for any harm or injury caused due to any person's improper or negligent use of this equipment. The product shall only be operated by someone over the age of 18, of sound mind, and not under the influence of any drugs or alcohol, who has been trained in the correct operation of this machine, and is wearing authorized, proper safety clothing. Any modification to the machine voids any warranty, and may cause harm to individuals using the machine or in the vicinity of the machine while in operation.

CHECK PACKAGE UPON ARRIVAL

Upon receipt of an Omcan shipment please inspect for external damage. If no damage is evident on the external packaging, open carton to ensure all ordered items are within the box, and there is no concealed damage to the machine. If the package has suffered rough handling, bumps or damage (visible or concealed), please note it on the bill of lading before accepting the delivery and contact Omcan within 24 hours, so we may initiate a claim with the carrier. A detailed report on the extent of the damage caused to the machine must be filled out within three days, from the delivery date shown in the shipping documents. Omcan has no recourse for damaged products that were shipped collect or third party.

Before operating any equipment, always read and familiarize yourself with all operation and safety instructions.

Omcan would like to thank you for purchasing this machine. It's of the utmost importance to save these instructions for future reference. Also save the original box and packaging for shipping the equipment if servicing or returning of the machine is required.

Omcan Fabrication et distribution Compagnie Limitée et Food Machinery d'Amérique, dba Omcan et Omcan Inc. ne sont pas responsables de tout dommage ou blessure causé du fait que toute personne ait utilisé cet équipement de façon irrégulière. Le produit ne doit être exploité que par quelqu'un de plus de 18 ans, sain d'esprit, et pas sous l'influence d'une drogue ou d'alcool, qui a été formé pour utiliser cette machine correctement, et est vêtu de vêtements de sécurité appropriés. Toute modification de la machine annule toute garantie, et peut causer un préjudice à des personnes utilisant la machine ou des personnes à proximité de la machine pendant son fonctionnement.

VÉRIFIEZ LE COLIS DÈS RÉCEPTION

Dès réception d'une expédition d'Omcan veuillez inspecter pour dommages externes. Si aucun dommage n'est visible sur l'emballage externe, ouvrez le carton afin de s'assurer que tous les éléments commandés sont dans la boîte, et il n'y a aucun dommage dissimulé à la machine. Si le colis n'a subi aucune mauvaises manipulations, de bosses ou de dommages (visible ou cachée), notez-le sur le bond de livraison avant d'accepter la livraison et contactez Omcan dans les 24 heures qui suivent, pour que nous puissions engager une réclamation auprès du transporteur. Un rapport détaillé sur l'étendue des dommages causés à la machine doit être rempli dans un délai de trois jours, à compter de la date de livraison indiquée dans les documents d'expédition. Omcan n'a aucun droit de recours pour les produits endommagés qui ont été expédiés ou cueilli par un tiers transporteur.



General Information

Avant d'utiliser n'importe quel équipement, toujours lire et vous familiariser avec toutes les opérations et les consignes de sécurité.

Omcan voudrais vous remercier d'avoir choisi cette machine. Il est primordial de conserver ces instructions pour une référence ultérieure. Également conservez la boîte originale et l'emballage pour l'expédition de l'équipement si l'entretien ou le retour de la machine est nécessaire.

Omcan Empresa De Fabricacion Y Distribucion Inc. Y Maquinaria De Alimentos De America, Inc. dba Omcan y Omcan Inc. no son responsables de ningun daño o perjuicio causado por cualquier persona inadecuada o el uso descuidado de este equipo. El producto solo podra ser operado por una persona mayor de 18 años, en su sano juicio y no bajo alguna influencia de droga o alcohol, y que este ha sido entrenado en el correcto funcionamiento de esta máquina, y ésta usando ropa apropiada y autorizada. Cualquier modificación a la máquina anula la garantía y puede causar daños a las personas usando la máquina mientras esta en el funcionamiento.

REVISE EL PAQUETE A SU LLEGADA

Tras la recepcion de un envio Omcan favor inspeccionar daños externos. Si no hay daños evidentes en el empaque exterior, Habra el carton para asegurarse que todos los articulos solicitados estén dentro de la caja y no encuentre daños ocultos en la máquina. Si el paquete ha sufrido un manejo de poco cuidado, golpes o daños (visible o oculto) por favor anote en la factura antes de aceptar la entrega y contacte Omcan dentro de las 24 horas, de modo que podamos iniciar una reclamación con la compañía. Un informe detallado sobre los daños causados a la máquina debe ser llenado en el plazo de tres días, desde la fecha de entrega que se muestra en los documentos de envío. Omcan no tiene ningun recurso por productos dañados que se enviaron a recoger por terceros.

Antes de utilizar cualquier equipo, siempre lea y familiarizarse con todas las instrucciones de funcionamiento y seguridad.

Omcan le gustaría darle las gracias por la compra de esta máquina. Es de la mayor importancia para salvar estas instrucciones para futuras consultas. Además, guarda la caja original y el embalaje para el envío del equipo si servicio técnico o devolución de la máquina que se requiere.

Safety and Warranty

Please pay close attention to the safety notices in this section. Disregarding these notices may lead to serious injury and/or damage to the unit.

ATTENTION

- To minimize shock and fire hazards, be sure not to overload outlet. Please designate one outlet for your unit.

Safety and Warranty

- Do not use extension cords.
- Do not put your hands under the unit when the unit is required to be moved.
- When the unit is not in use for a long period of time, please unplug the unit from the outlet.
- After unplugging the unit, wait at least 10 minutes before re-plugging it. Failure to do so could cause damage to the compressor.

UNPLUG CORD

- To minimize shock and fire hazards, please do not plug or unplug the cord with wet hands.
- During maintenance and cleaning, please unplug the unit.

PROPER GROUNDING REQUIRED

- To minimize shock and fire hazards, make sure that the unit is properly grounded.

PROHIBITION

- Do not attempt to remove or repair any component unless instructed by factory.
- Make sure that the unit is not resting on or against the electrical cord and plug.
- To minimize personal injury, do not hang on the doors.
- Do not store any flammable and explosive gas or liquids inside the unit.
- Do not attempt to alter or tamper with the electrical cord.

RESIDENTIAL USERS: Vendor assumes no liability for parts or labor coverage for component failure or other damages resulting from installation in non-commercial or residential applications. The right is reserved to deny shipment for residential usage; if this occurs, you will be notified as soon as possible.

2 YEARS PARTS AND LABOUR / 5 YEARS PARTS ONLY ON COMPRESSOR WARRANTY

Within the warranty period, contact Omcan Inc. at 1-800-465-0234 to schedule an Omcan authorized service technician to repair the equipment locally.

Unauthorized maintenance will void the warranty. Warranty covers electrical and part failures, not improper use.

Please see <https://omcan.com/disclaimer> for complete info.

WARNING:

The packaging components are classified as normal solid urban waste and can therefore be disposed of without difficulty.



Safety and Warranty

In any case, for suitable recycling, we suggest disposing of the products separately (differentiated waste) according to the current norms.

DO NOT DISCARD ANY PACKAGING MATERIALS IN THE ENVIRONMENT!

Technical Specifications

REFRIGERATED PREP TABLES

Model	PT-CN-0686-HC	PT-CN-1194-HC	PT-CN-1524-HC	PT-CN-1778-HC
Net Volume	160 L / 5.65 cu.ft.	268 L / 9.46 cu.ft.	428 L / 15.11 cu.ft.	440 L / 15.54 cu.ft.
Temperature Range	0.5 - 5°C / 33 - 41°F			
Max Ambient Temp Rating	24°C / 75°F			
Horsepower	1/5 HP	1/4+ HP		3/4 HP
Electrical	110V / 60Hz / 1			
Current	2.88A	4.56A	4.8A	8.9A
Refrigerant	R290			
Isolation Material	Cyclopentane			
Cooling System	Ventilated			
Insert Capacity	6 - 1/6 pans 2 - 1/9 pans	12 - 1/6 pans	16 - 1/6 pans	18 - 1/6 pans
Number of Doors	1	2		3
Number of Shelves	1	2		3
Shelf Capacity	44 lbs. / 20 kgs.	40 lbs. / 18.1 kgs.	52.9 lbs. / 24 kgs.	44 lbs. / 20 kgs.
Cutting Board	27.4" x 10.3" x 0.4" 696 x 262 x 10mm	47" x 10.3" x 0.4" 1186 x 262 x 10mm	60.1" x 10.3" x 0.4" 1527 x 262 x 10mm	70.3" x 10.3" x 0.4" 1785 x 262 x 10mm
Exterior Dimensions	27.5" x 29.5" x 42.4" 698 x 750 x 1075mm	46.9" x 29.5" x 42.4" 1188 x 750 x 1075mm	60" x 29.5" x 42.4" 1529 x 750 x 1075mm	70.4" x 29.5" x 42.4" 1787 x 750 x 1075mm
Interior Dimensions	24" x 23.8" x 23.5" 611 x 605 x 597mm	42.8" x 23.8" x 23.5" 1088 x 605 x 597mm	56" x 23.8" x 23.5" 1429 x 605 x 597mm	66" x 24" x 23.5" 1687 x 605 x 597mm
Packaging Dimensions	32.3" x 34.6" x 45.6" 820 x 880 x 1160mm	52" x 34.6" x 45.6" 1320 x 880 x 1160mm	65.4" x 34.6" x 45.6" 1660 x 880 x 1160mm	75.6" x 34.6" x 45.6" 1920 x 880 x 1160mm
Weight	187 lbs. / 85 kgs.	271 lbs. / 123 kgs.	319 lbs. / 145 kgs.	378 lbs. / 172 kgs.
Packaging Weight	255 lbs. / 116 kgs.	394 lbs. / 179 kgs.	451 lbs. / 205 kgs.	513 lbs. / 233 kgs.
Item Number	50045	50046	50047	50048

Technical Specifications

MEGA REFRIGERATED PREP TABLES

Model	PT-CN-0711-HC	PT-CN-1194-H	PT-CN-1537-HC
Net Volume	161 L / 5.7 cu.ft.	269 L / 9.5 cu.ft.	425L / 15 cu.ft.
Temperature Range	0.5 - 5°C / 33 - 41°F		
Max Ambient Temp Rating	24°C / 75°F		
Horsepower	1/5 HP	1/4+ HP	
Electrical	110V / 60Hz / 1		
Current	2.88A	4.56A	4.8A
Refrigerant	R290		
Isolation Material	Cyclopentane		
Cooling System	Ventilated		
Insert Capacity	9 - 1/6 pans	18 - 1/6 pans	21 - 1/6 pans
Number of Doors	1	2	
Number of Shelves	1	2	
Shelf Capacity	77 lbs. / 35 kgs.	154 lbs. / 70 kgs.	158.7 lbs. / 72 kgs.
Exterior Dimensions	27.5" x 34" x 46" 698 x 864 x 1166mm	47" x 34" x 46" 1194 x 864 x 1166mm	60.2" x 34" x 45.9" 1529 x 864 x 1166mm
Interior Dimensions	24" x 23.8" x 23.5" 610 x 605 x 597mm	42.8" x 23.8" x 23.5" 1088 x 605 x 597mm	56.3" x 23.8" x 23.5" 1429 x 605 x 597mm
Packaging Dimensions	31.8" x 39" x 49.1" 808 x 991 x 486mm	52.4" x 39" x 49.1" 1330 x 991 x 486mm	65.4" x 39" x 49.3" 1660 x 990 x 1250mm
Weight	198 lbs. / 90 kgs.	298 lbs. / 135 kgs.	330 lbs. / 150 kgs.
Packaging Weight	264.6 lbs. / 120 kgs.	408 lbs. / 185 kgs.	462 lbs. / 210 kgs.
Item Number	50049	50050	50051

Installation

IMPORTANT!!! PLEASE READ BEFORE INSTALLATION

- If the unit has recently been transported. Please let unit stand still for a minimum of 24 hours before plugging it in.
- Make sure that the unit drops down to desired temperature before loading the unit with product.
- Make sure that there is proper ventilation around the unit in the area where it will operate.
- Make sure all accessories are installed(i.e. shelves, shelf clips, casters) before plugging the unit in.
- Please read through the Operation / Owner's Manual in its entirety.

CABINET LOCATION GUIDELINES

- Install the unit on strong and leveled surfaces.

Installation

- Unit may make unpleasant noises if surface is uneven.
- Unit may malfunction if surface is uneven.
- Install the unit in an indoor, well-ventilated area.
 - Unit performs more efficiently in a well-ventilated area.
 - For best performance, please maintain clearance of 6" on the back of the unit.
 - Outdoor use may cause decreased efficiency and damage to the unit.
- Avoid installation in a high humidity and/or dusty area.
 - Humidity could cause unit to rust and decrease efficiency of the unit.
 - Dust collected on condenser coil will cause unit to malfunction. Clean the condenser at least once a month with a brush or clean cloth.
 - Malfunction due to dirty condenser will void warranty.
- Select a location away from heat and moisture-generating equipment.
 - High ambient temperature will cause the compressor to overwork, leading to higher energy bills and gradual breakdown of the unit.
 - Malfunction due to high ambient temperature will void warranty.

ELECTRICAL

Please ensure that the required voltage of the compressor is being supplied at all times. Low or high voltage can detrimentally affect the refrigeration unit. All units should be plugged into a grounded and properly-sized electrical outlet with appropriate overcurrent protection. Please refer to the electrical requirement on the nameplate of the unit. Please make sure that your unit has its own dedicated outlet. Do not use an extension cord.

TEMPERATURE CONTROLS

The temperature controls are factory-set to maintain an average temperature of 38°F in refrigeration. To maintain a different temperature, adjust it on the temperature controller—see *manual of temperature controller*.

CAUTION

Setting the temperature control to the coldest setting may cause the evaporator coil to freeze and ice up. This will eventually result in a warmer cabinet temperature.

LOADING PRODUCT

Shelves have been factory-installed for your convenience. Before loading shelves, please be sure that all shelf clips are completely fastened in their correct locations. It is important that all shelves rest completely level before stocking your cabinet with product. In order to maintain correct air flow inside the unit, please be sure to leave two to four (2 to 4) inches of space between the back wall and stored product. Blocking the evaporator fans will result in a warmer cabinet temperature, and ultimately compressor failure.

Installation

DEFROST SYSTEMS

Refrigerator coils are kept below the freezing point(32°F). During compressor down-time, the evaporator fan continues to circulate air through the evaporator coil. This air circulation raises the coil temperature above the freezing point, melting any accumulated frost. Run-off water is drained into the evaporator pan and evaporated. Freezer coils are defrosted electrically. Automatic defrost timers are built-in to the refrigeration system and may not be adjusted. The defrost timers automatically initiate at pre-set intervals and for a pre-determined duration.

PLEASE NOTE: Excessive door opening should be avoided in order to maintain cabinet temperature and to eliminate the possibility of coil freeze-up.

LOADING FOOD PANS

Pizza prep units and sandwich prep units are designed to function with all pans in place, even if some pans are to be left empty. For maximum food freshness, Fill the pans only with an amount that can be used in a specific usage period. During non-use, please close the insulated lid cover.

REVERSING THE DOORS (OPTIONAL)

Note: This only applies to the single door units.

Only perform these steps with another person present to ensure the door does not fall over.

1. Open the door.
2. Remove the screws from the top panel, then open the top panel.
3. Remove the screws of the bottom louver, then remove the louver.
4. Unscrew all of the screws from the upper hinge
5. Unscrew all of the screws from the lower hinge and remove the door and hinges.
6. Place the former upper hinge at the bottom of the unit, parallel to where the lower hinge is, do the same with the former lower hinge except for the top. Screw the hinges into place.
7. Reassemble the door so it is facing the opposite direction.
8. Reassemble the top panel and the lower louver.
9. The door is now reversed.

Maintenance

CLEANING THE CONDENSER COIL

- For efficient operation, it is important that the condenser surface be kept free of dust, dirt, and lint.
- We recommend cleaning the condenser coil and fins at least once per month.
- Clean with a commercial condenser coil cleaner, available from any kitchen equipment retailer. Brush the condenser fins from top to bottom, not side to side.
- After cleaning, straighten any bent condenser fins with a fin comb.

Maintenance

CLEANING THE FAN BLADE AND MOTOR

- If necessary, clean the fan blades and motor with a soft cloth, If it is necessary to wash the fan blades, cover the fan motor to prevent moisture damage.

CLEANING THE INTERIOR OF UNIT

- When cleaning the cabinet interior, use a solvent of warm water and mild soap.
- Do not use steel wool, caustic soap, abrasive cleaners, or bleach that may damage the stainless steel surface.
- Wash door gaskets on a regular basis, preferably weekly. Simply remove door gasket from the frame of the door, soak in warm water and soap for thirty (30) minutes, dry with soft cloth, and replace.
- Check door gaskets for proper seal after they are replaced.
- Periodically remove the shelves and pilasters from the unit and clean them with mild soap and warm water. To remove the pilasters, first remove the shelves and shelf brackets. Then, simply lift the pilaster up and out.

WARNING

Disconnect power cord before cleaning any parts of the unit.

Troubleshooting

Before requesting any service on your unit, please check the following points. Please note that this guide serve only as a reference for solutions to common problems.

SYMPTOM	POSSIBLE CAUSE	CORRECTIVE ACTION
Compressor not running.	Fuse blown or circuit breaker tripped.	Replace fuse or reset circuit breaker.
	Power cord unplugged.	Plug in power cord.
	Thermostat set too high.	Set thermostat to lower Temperature.
	Cabinet in defrost cycle.	Wait for defrost cycle to finish.

Troubleshooting

Condensing unit runs for long periods of time.	Excessive amount of warm product Placed in cabinet.	Allow adequate time for Product to cool down.
	Prolonged door opening or door ajar.	Ensure doors are closed when not in use. Avoid opening doors for long periods of time.
	Door gasket(s) not sealing properly.	Ensure gaskets are snapped in Completely. Remove gasket and Wash with soap and water.
		Check condition of gasket and replace if necessary.
	Dirty condenser coil.	Clean the condenser coil.
	Evaporator coil iced over.	Unplug unit and allow coil to defrost. Make sure thermostat is not set too cold. Ensure that door gasket(s) are sealing properly.
Cabinet is noisy.	Loose part(s).	Locate and tighten loose part(s).
	Tubing vibration.	Ensure tubing is free from contact with other tubing or components.
Cabinet Temperature Is too warm.	Thermostat set too warm.	Set thermostat to lower Temperature.
	Blocking air flow.	Re-arrange product to allow for Proper air flow. Make sure there Is at least four inches of clearance from evaporator.
	Excessive amount of warm product Placed in cabinet.	Allow adequate time for product to cool down.
	Fuse blown or circuit breaker tripped.	Replace fuse or reset circuit breaker.
	Dirty condenser coil.	Clean the condenser coil.
	Prolonged door opening or door ajar.	Ensure doors are closed when not in use. Avoid opening doors for long periods of time.
	Evaporator coil iced over.	Unplug unit and allow coil to defrost. Make sure thermostat is not set too cold. Ensure that door gasket(s) are sealing properly.

For service call 1-800-465-0234.

Controller Instructions

Digital controller model: PJEZ for cooler



Dimensioni (mm) / Dimensions (mm)

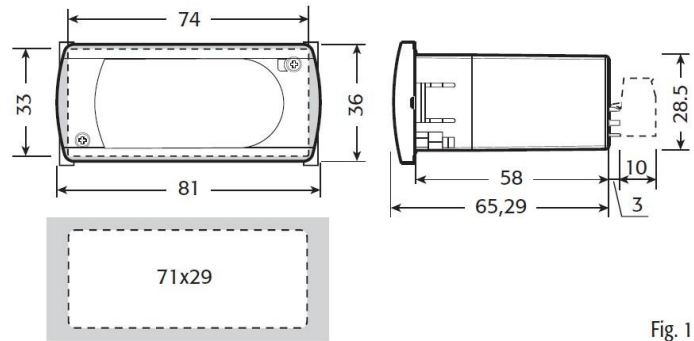







Fig. 1

Display and functions


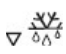

During normal operation, the controller displays the value of the probe set using parameter/4(=1 ambient probe, default, = 2 second probe, = 3 third probe). In addition, the display has LEDs that indicate the activation of the control functions (see Table 1), while the 3 buttons can be used to activate/deactivate some of the functions(see Table 2).

LED's and Associated Functions (Table 1)

Icon	Function	Normal Operation			Start Up
		ON	OFF	Blink	
	Compressor	On	Off	Request	ON
	Fan	On	Off	Request	ON
	Defrost	On	Off	Request	ON
AUX	Aux	Output On	Output Off	-	ON
	Alarm	All	No Alarm	-	ON
	Clock	RTC fitted and enabled, at least 1 time band set	RTC not fitted or disabled, not even 1 time band set	-	ON if RTC fitted

Controller Instructions

Table of Functions activated by the buttons - Models S, X, Y, C (Table 2)

Button		Normal Operation		Start Up	
		Pressing the Button Alone	Pressed Together		
	Up ON/OFF	More than 3 sec: toggle ON/OFF	Start/Stop continuous cycle	-	
	Down Defrost	More than 3 sec: start/stop defrost			
	Set Mute	- 1 sec.: display/set the set point. - more than 3 secs.: access parameter setting menu (enter password) - mute audible alarm (buzzer)	-	Pressed together Start parameter reset procedure	For 1 sec. display firmware vers. code
					For 1 sec. RESET current EZY set

Setting the set point (desired temperature)

- press **SET** for 1 sec, the set value will start flashing after a few moments;
- increase or decrease the value using **UP** or **DOWN**;
- press **SET** to confirm the new value.

Switching the device ON/OFF

Press **UP** for more than 3 sec. The control and defrost algorithms are now disabled and the Instrument displays the message “OFF” alternating with the temperature read by the set probe

Manual defrost

Press for **DOWN** more than 3 sec (the defrost starts only the temperature conditions are valid).

Continuous cycle

Press **UP** and **DOWN** together for more than 3 sec

Access and setting type F (frequent) and type C (configuration) parameters

1. press **SET** for 3 sec (the display will show “PS”);
2. • to access the type F and C parameter menu, enter the password “22” using **UP/DOWN**, press **SET** to confirm;
• to access the F parameter menu only, press **SET** (without entering the password);
3. scroll inside the parameter menu using **UP/DOWN**;

Controller Instructions

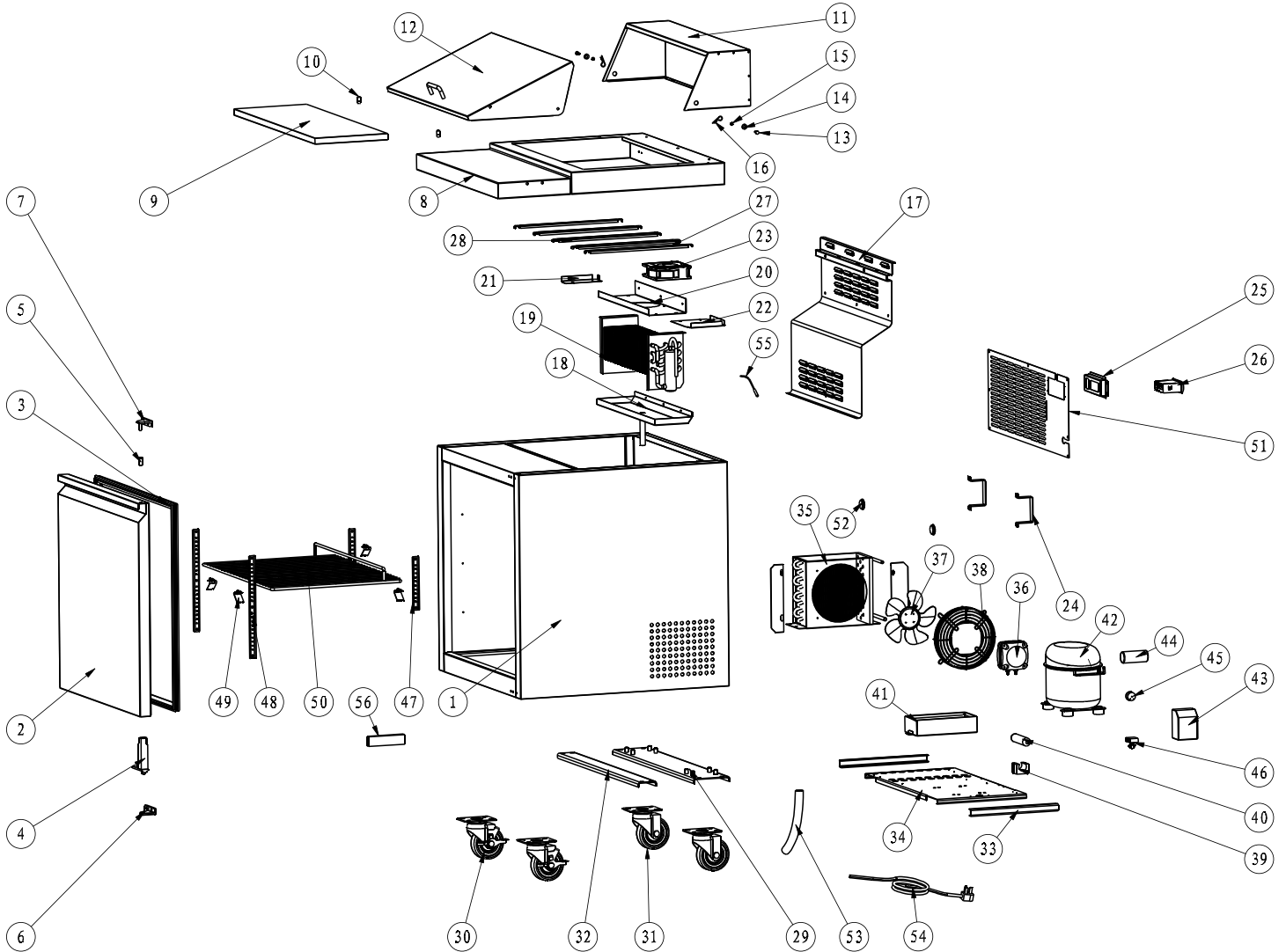
- to display/set the values of the parameter displayed, press **SET**, then **UP/DOWN** and finally **SET** to confirm the changes (returning to the parameter menu).

To save all the new values and exit the parameter menu, press **SET** for 3 s;

To exit the menu without saving the changed values (exit by timeout) do not press any button for at least 60 s.

Parts Breakdown

Model PT-CN-0686-HC 50045





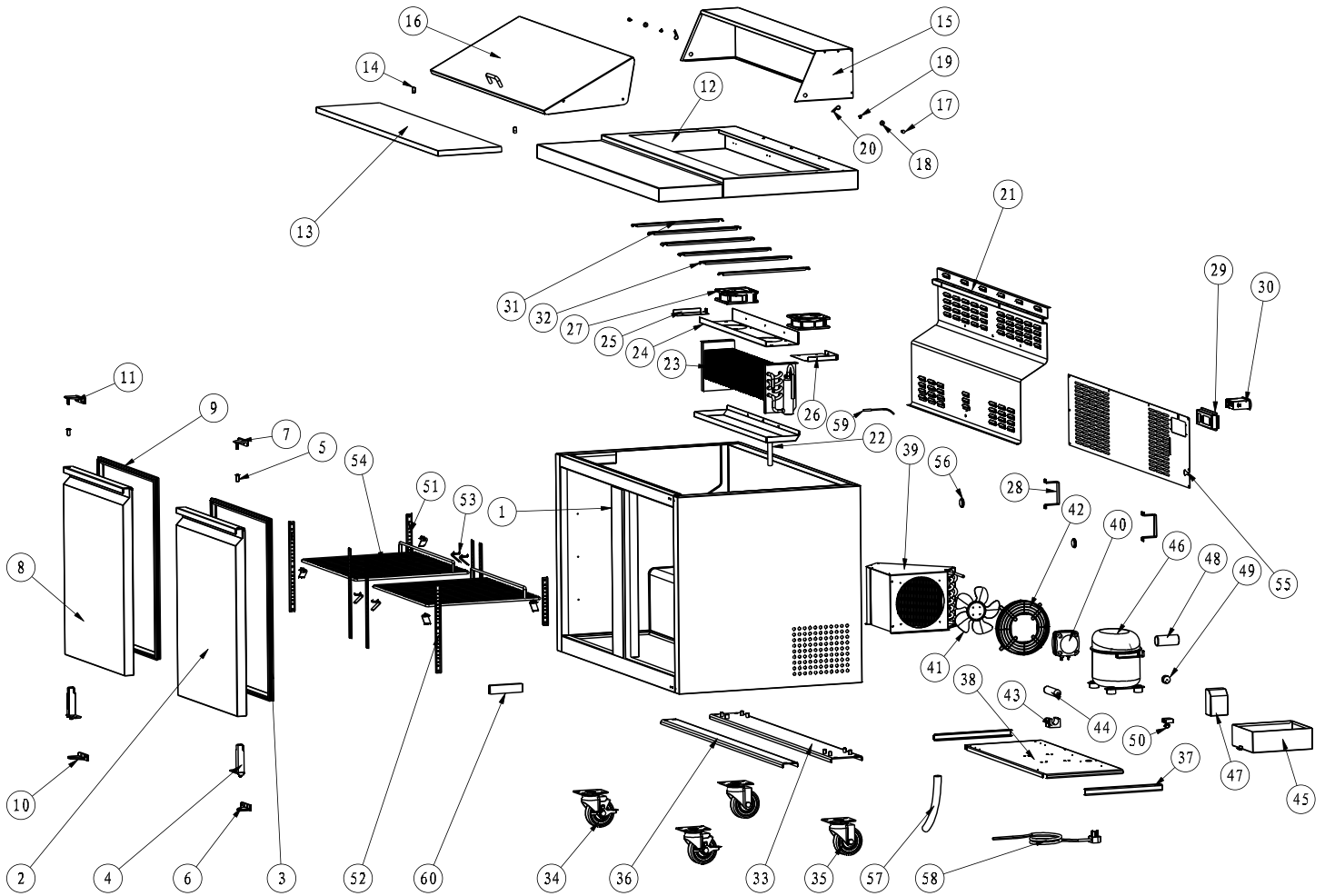
Parts Breakdown

Model PT-CN-0686-HC 50045

Item No.	Description	Position	Item No.	Description	Position	Item No.	Description	Position
AF068	Cabinet for 50045	1	AA118	Evaporator for 50045	19	AA208	Condenser Fan Blade for 50045	37
AF069	Door for 50045	2	AF077	Fan Motor Installation Panel for 50045	20	AA207	Condenser Fan Motor Cover for 50045	38
AB250	Gasket for 50045	3	AF078	Left Clapboard of Evaporator for 50045	21	AB595	Filter Fixer for 50045	39
AA955	Left/Right Spring Hinge for 50045	4	AF079	Right Clapboard of Evaporator for 50045	22	AB594	Filter for 50045	40
AA388	Axis Cover for 50045	5	AA128	Condenser Fan Motor for 50045	23	AF087	Outer Drain Pan for 50045	41
AA360	Bottom Left Hinge for 50045	6	AF080	Stand Off Bracket for 50045	24	AF088	Compressor for 50045	42
AF070	Upper Right Hinge for 50045	7	AB320	Thermostat Installation Board for 50045	25	AF089	K Strip-2 Holes for 50045	47
AF071	Top Board for 50045	8	AA123	Thermostat for 50045	26	AF090	K Strip-3 Holes for 50045	48
AF072	Cutting Board for 50045	9	AF081	Pan Bracket-15 for 50045	27	26884	K Clip for 50045	49
AB253	Fixer for Cutting Board for 50045	10	AF082	Pan Bracket-25 for 50045	28	AB279	Shelf for 50045	50
AF073	Back Cover for 50045	11	AF083	Castor Support for 50045	29	AF091	Back Grill for 50045	51
AF074	Lid for 50045	12	26246	Caster with Brake for 50045	30	AB169	Foaming Hole Cover for 50045	52
AB256	Dowel for 50045	13	26247	Caster without Brake for 50045	31	AA133	Drain Hose for 50045	53
AB257	Plastic Bolt for 50045	14	AF084	Assembling Panel Support for 50045	32	AA135	Power Cord for 50045	54
AB258	Nut for 50045	15	AF085	Compressor Unit Track for 50045	33	AA379	Temperature Probe for 50045	55
AB259	Split Pin for 50045	16	AF086	Compressor Unit Installation Board for 50045	34	AA596	Thermometer for 50045	56
AF075	Evaporator Cover for 50045	17	AB159	Condenser for 50045	35			
AF076	Inner Drain Pan for 50045	18	AF030	Evaporator Fan Motor for 50045	36			

Parts Breakdown

Model PT-CN-1194-HC 50046



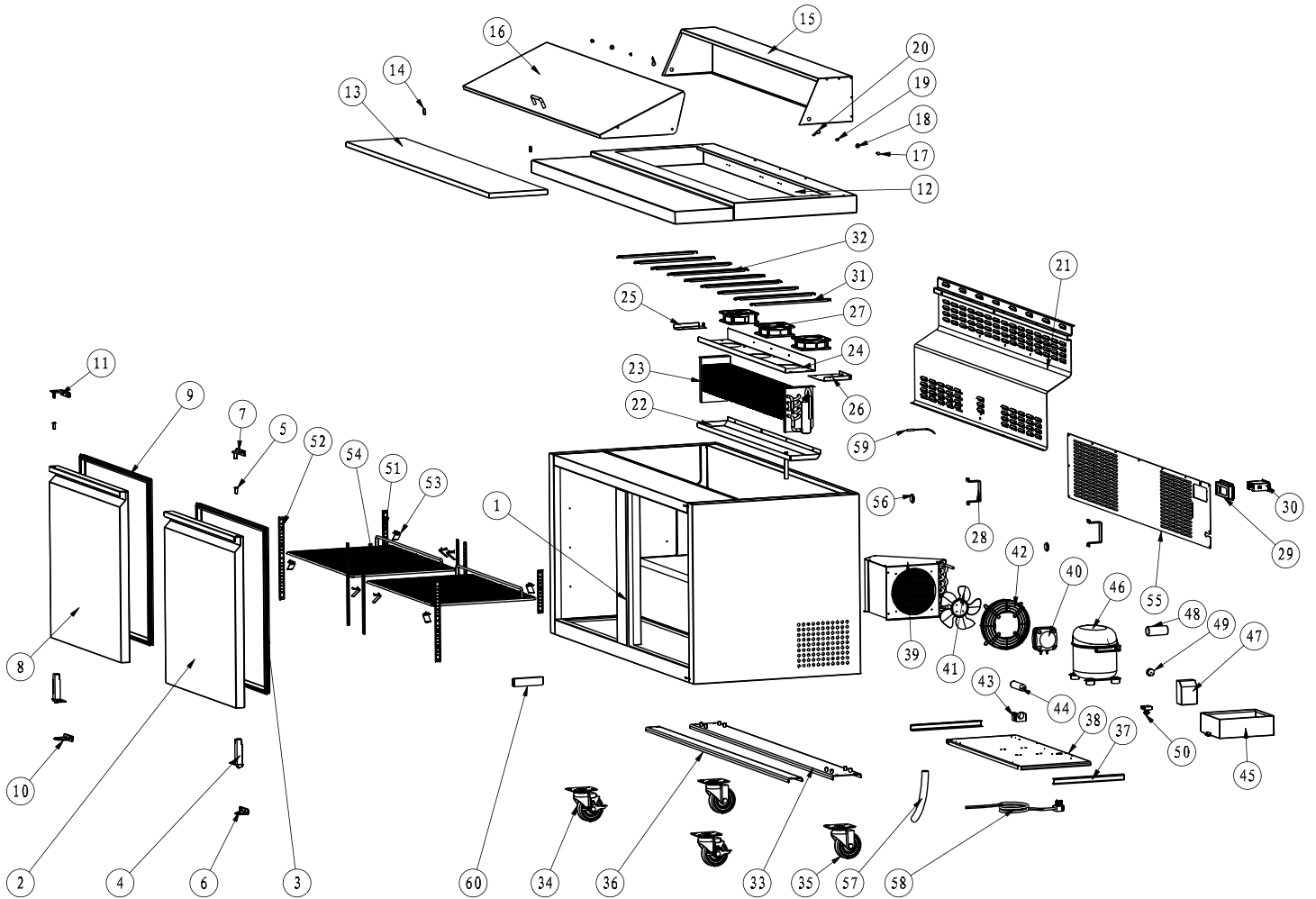
Parts Breakdown

Model PT-CN-1194-HC 50046

Item No.	Description	Position	Item No.	Description	Position	Item No.	Description	Position
AF092	Cabinet for 50046	1	AB259	Split Pin for 50046	20	AB213	Condenser for 50046	39
AF093	Right Door for 50046	2	AF099	Evaporator Cover for 50046	21	AB049	Condenser Fan Motor for 50046	40
AB197	Gasket for 50046	3	AF100	Inner Drain Pan for 50046	22	AA208	Condenser Fan Blade for 50046	41
AA955	Left/Right Spring Hinge for 50046	4	26955	Evaporator for 50046	23	AA207	Condenser Fan Motor Cover for 50046	42
AA388	Axis Cover for 50046	5	AF101	Fan Motor Installation Panel for 50046	24	AB595	Filter Fixer for 50046	43
AA360	Bottom Left Hinge for 50046	6	AF102	Left Clapboard of Evaporator for 50046	25	AB594	Filter for 50046	44
AF070	Upper Right Hinge for 50046	7	AF103	Right Clapboard of Evaporator for 50046	26	AB590	Outer Drain Pan for 50046	45
AF094	Left Door for 50046	8	AA128	Condenser Fan Motor for 50046	27	AB592	Compressor for 50046	46
AB197	Gasket for 50046	9	AF080	Stand Off Bracket for 50046	28	AF089	K Strip-2 Holes for 50046	51
AA359	Bottom Right Hinge for 50046	10	AB320	Thermostat Installation Board for 50046	29	AF090	K Strip-3 Holes for 50046	52
AB200	Upper Left Hinge for 50046	11	AA123	Thermostat for 50046	30	26884	K Clip for 50046	53
AF095	Top Board for 50046	12	AF081	Pan Bracket-15 for 50046	31	AB220	Shelf for 50046	54
AF096	Cutting Board for 50046	13	AF082	Pan Bracket-25 for 50046	32	AF107	Back Grill for 50046	55
AB253	Fixer for Cutting Board for 50046	14	AF104	Castor Support for 50046	33	AB169	Foaming Hole Cover for 50046	56
AF097	Back Cover for 50046	15	26246	Caster with Brake for 50046	34	AA133	Drain Hose for 50046	57
AF098	Lid for 50046	16	26247	Caster without Brake for 50046	35	AA135	Power Cord for 50046	58
AB256	Dowel for 50046	17	AF105	Assembling Panel Support for 50046	36	AA379	Temperature Probe for 50046	59
AB257	Plastic Bolt for 50046	18	AF085	Compressor Unit Track for 50046	37	AA596	Thermometer for 50046	60
AB258	Nut for 50046	19	AF106	Compressor Unit Installation Board for 50046	38			

Parts Breakdown

Model PT-CN-1524-HC 50047



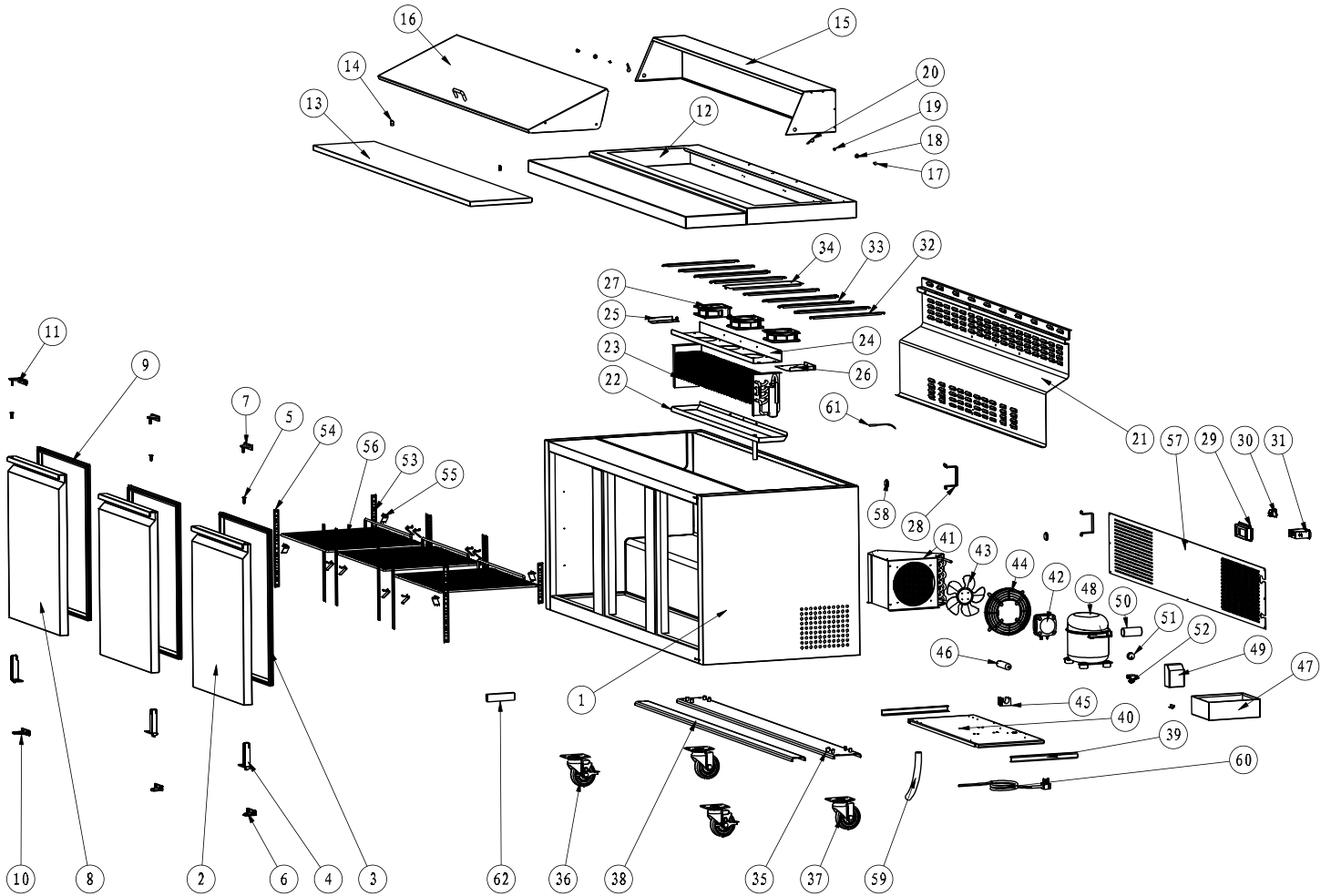
Parts Breakdown

Model PT-CN-1524-HC 50047

Item No.	Description	Position	Item No.	Description	Position	Item No.	Description	Position
AF108	Cabinet for 50047	1	AB259	Split Pin for 50047	20	AB213	Condenser for 50047	39
AF109	Right Door for 50047	2	AF115	Evaporator Cover for 50047	21	AB049	Condenser Fan Motor for 50047	40
AB363	Gasket 720x635mm for 50047	3	AF116	Inner Drain Pan for 50047	22	AA208	Condenser Fan Blade for 50047	41
AA955	Left/Right Spring Hinge for 50047	4	AA171	Evaporator for 50047	23	AA207	Condenser Fan Motor Cover for 50047	42
AA388	Axis Cover for 50047	5	AF117	Fan Motor Installation Panel for 50047	24	AB595	Filter Fixer for 50047	43
AA360	Bottom Left Hinge for 50047	6	AF118	Left Clapboard of Evaporator for 50047	25	AB594	Filter for 50047	44
AF070	Upper Right Hinge for 50047	7	AF119	Right Clapboard of Evaporator for 50047	26	AB590	Outer Drain Pan for 50047	45
AF110	Left Door for 50047	8	AA128	Condenser Fan Motor for 50047	27	AB592	Compressor for 50047	46
AB363	Gasket 720x635mm for 50047	9	AF080	Stand Off Bracket for 50047	28	AF089	K Strip-2 Holes for 50047	51
AA359	Bottom Right Hinge for 50047	10	AB320	Thermostat Installation Board for 50047	29	AF090	K Strip-3 Holes for 50047	52
AB200	Upper Left Hinge for 50047	11	AA123	Thermostat for 50047	30	26884	K Clip for 50047	53
AF111	Top Board for 50047	12	AF081	Pan Bracket-15 for 50047	31	AB388	Shelf for 50047	54
AF112	Cutting Board for 50047	13	AF082	Pan Bracket-25 for 50047	32	AF122	Back Grill for 50047	55
AB253	Fixer for Cutting Board for 50047	14	AF120	Castor Support for 50047	33	AB169	Foaming Hole Cover for 50047	56
AF113	Back Cover for 50047	15	26246	Caster with Brake for 50047	34	AA133	Drain Hose for 50047	57
AF114	Lid for 50047	16	26247	Caster without Brake for 50047	35	AA135	Power Cord for 50047	58
AB256	Dowel for 50047	17	AF121	Assembling Panel Support for 50047	36	AA379	Temperature Probe for 50047	59
AB257	Plastic Bolt for 50047	18	AF085	Compressor Unit Track for 50047	37	AA596	Thermometer for 50047	60
AB258	Nut for 50047	19	AF106	Compressor Unit Installation Board for 50047	38			

Parts Breakdown

Model PT-CN-1778-HC 50048



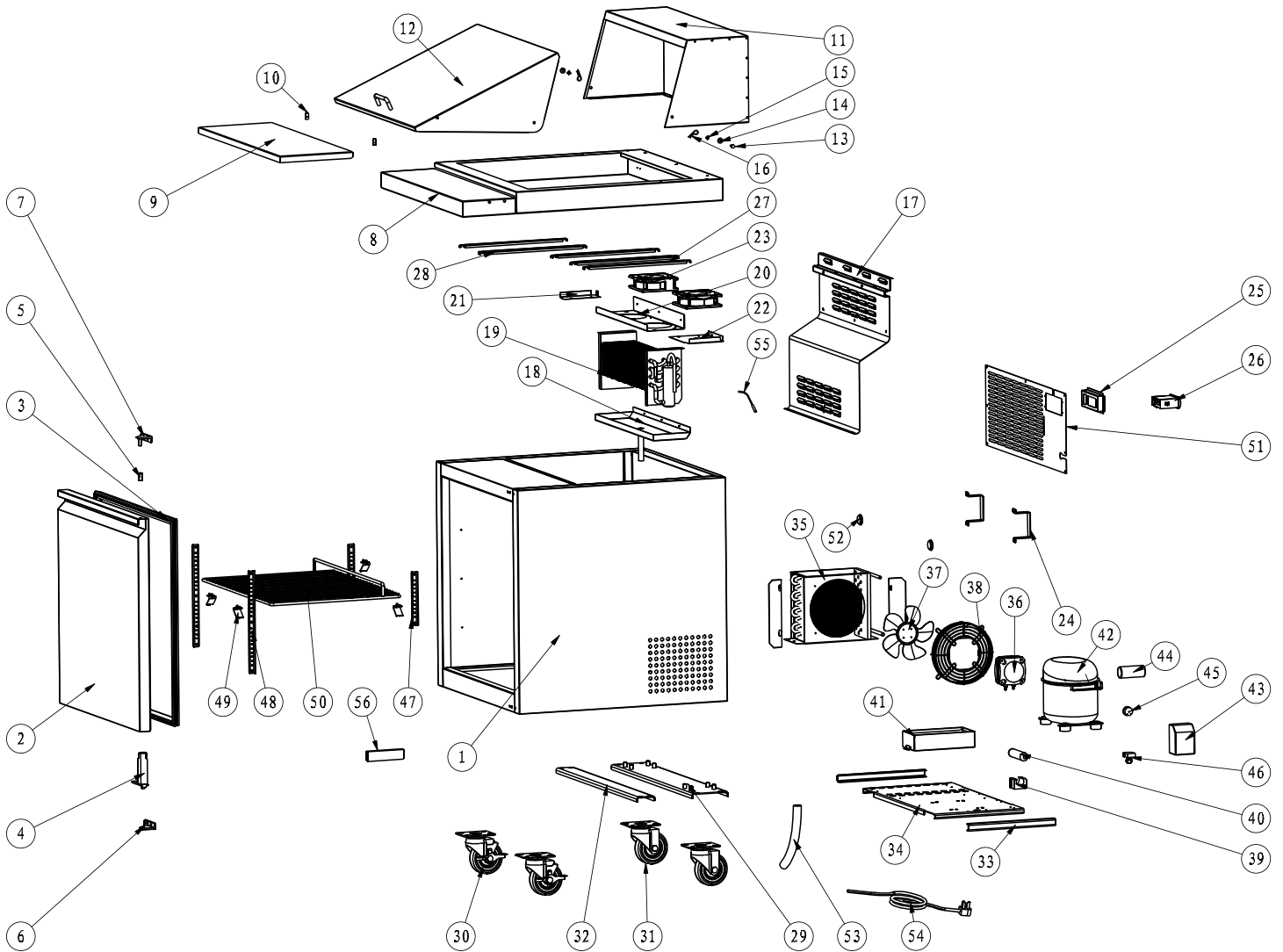
Parts Breakdown

Model PT-CN-1778-HC 50048

Item No.	Description	Position	Item No.	Description	Position	Item No.	Description	Position
AF123	Cabinet for 50048	1	AF128	Evaporator Cover for 50048	21	AB213	Condenser for 50048	41
AF093	Right Door for 50048	2	AF116	Inner Drain Pan for 50048	22	AB049	Condenser Fan Motor for 50048	42
AB197	Gasket for 50048	3	AA171	Evaporator for 50048	23	AA208	Condenser Fan Blade for 50048	43
AA955	Left/Right Spring Hinge for 50048	4	AF117	Fan Motor Installation Panel for 50048	24	AA207	Condenser Fan Motor Cover for 50048	44
AA388	Axis Cover for 50048	5	AF129	Left Clapboard of Evaporator for 50048	25	AB595	Filter Fixer for 50048	45
AA360	Bottom Right Hinge for 50048	6	AF130	Right Clapboard of Evaporator for 50048	26	AB594	Filter for 50048	46
AF070	Upper Right Hinge for 50048	7	AA128	Condenser Fan Motor for 50048	27	AB590	Outer Drain Pan for 50048	47
AF094	Left Door for 50048	8	AF080	Stand Off Bracket for 50048	28	AB719	Compressor NLE10CN/115V/R290 for 50048	48
AB363	Gasket 720x635mm for 50048	9	AB320	Thermostat Installation Board for 50048	29	AF089	K Strip-2 Holes for 50048	53
AA359	Bottom Right Hinge for 50048	10	AA124	Power Switch for 50048	30	AF090	K Strip-3 Holes for 50048	54
AB200	Upper Left Hinge for 50048	11	AA123	Thermostat for 50048	31	26884	K Clip for 50048	55
AF124	Top Board for 50048	12	AF081	Pan Bracket-15 for 50048	32	AB460	Shelf for 50048	56
AF125	Cutting Board for 50048	13	AF082	Pan Bracket-25 for 50048	33	AF134	Back Grill for 50048	57
AB253	Fixer for Cutting Board for 50048	14	AF131	Pan Bracket-90 for 50048	34	AB169	Foaming Hole Cover for 50048	58
AF126	Back Cover for 50048	15	AF132	Castor Support for 50048	35	AA133	Drain Hose for 50048	59
AF127	Lid for 50048	16	26246	Caster with Brake for 50048	36	AA135	Power Cord for 50048	60
AB256	Dowel for 50048	17	26247	Caster without Brake for 50048	37	AA379	Temperature Probe for 50048	61
AB257	Plastic Bolt for 50048	18	AF133	Assembling Panel Support for 50048	38	AA596	Thermometer for 50048	62
AB258	Nut for 50048	19	AF085	Compressor Unit Track for 50048	39			
AB259	Split Pin for 50048	20	AF106	Compressor Unit Installation Board for 50048	40			

Parts Breakdown

Model PT-CN-0711-HC 50049



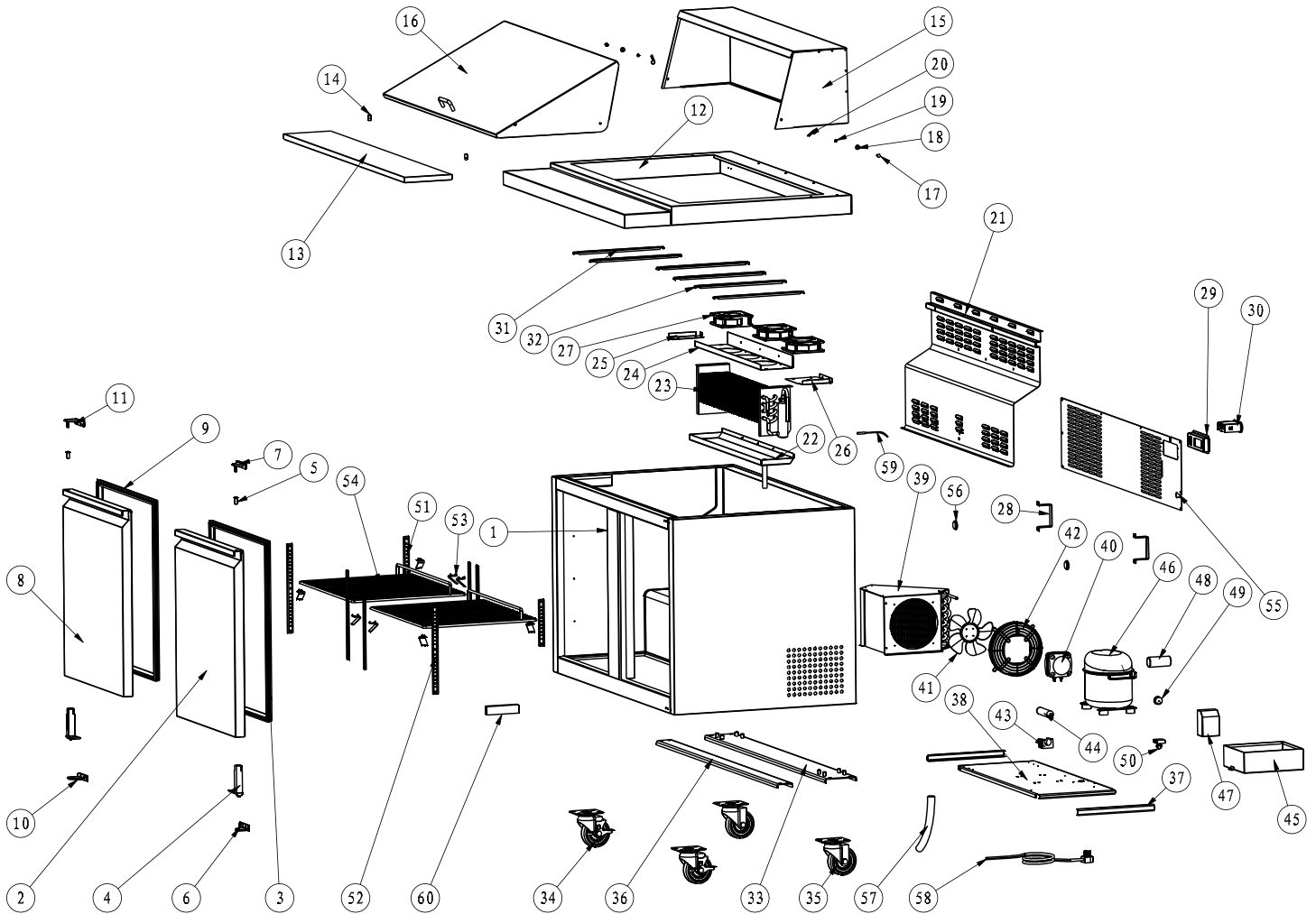
Parts Breakdown

Model PT-CN-0711-HC 50049

Item No.	Description	Position	Item No.	Description	Position	Item No.	Description	Position
AF068	Cabinet for 50049	1	AA118	Evaporator for 50049	19	AA208	Condenser Fan Blade for 50049	37
AF069	Door for 50049	2	AF139	Fan Motor Installation Panel for 50049	20	AA207	Condenser Fan Motor Cover for 50049	38
AB250	Gasket for 50049	3	AF078	Left Clapboard of Evaporator for 50049	21	AB595	Filter Fixer for 50049	39
AA955	LEFT/RIGHT SPRING HINGE FOR CFD-1RR-HC	4	AF079	Right Clapboard of Evaporator for 50049	22	AB594	Filter for 50049	40
AA388	Axis Cover for 50049	5	AA128	Condenser Fan Motor for 50049	23	AF087	Outer Drain Pan for 50049	41
AA360	Bottom Left Hinge for 50049	6	AF080	Stand Off Bracket for 50049	24	AF088	Compressor for 50049	42
AF070	Upper Right Hinge for 50049	7	AB320	Thermostat Installation Board for 50049	25	AF089	K Strip-2 Holes for 50049	47
AF135	Top Board for 50049	8	AA123	Thermostat for 50049	26	AF090	K Strip-3 Holes for 50049	48
AF136	Cutting Board for 50049	9	AF140	Pan Bracket-15 for 50049	27	26884	K Clip for 50049	49
AB253	Fixer for Cutting Board for 50049	10	AF141	Pan Bracket-25 for 50049	28	AB279	Shelf for 50049	50
AF137	Back Cover for 50049	11	AF083	Castor Support for 50049	29	AF091	Back Grill for 50049	51
AF138	Lid for 50049	12	26246	Caster with Brake for 50049	30	AB169	Foaming Hole Cover for 50049	52
AB256	Dowel for 50049	13	26247	Caster without Brake for 50049	31	AA133	Drain Hose for 50049	53
AB257	Plastic Bolt for 50049	14	AF084	Assembling Panel Support for 50049	32	AA135	Power Cord for 50049	54
AB258	Nut for 50049	15	AF085	Compressor Unit Track for 50049	33	AA379	Temperature Probe for 50049	55
AB259	Split Pin for 50049	16	AF086	Compressor Unit Installation Board for 50049	34	AA596	Thermometer for 50049	56
AF075	Evaporator Cover for 50049	17	AB159	Condenser for 50049	35			
AF076	Inner Drain Pan for 50049	18	AF030	Evaporator Fan Motor for 50049	36			

Parts Breakdown

Model PT-CN-1194-H 50050



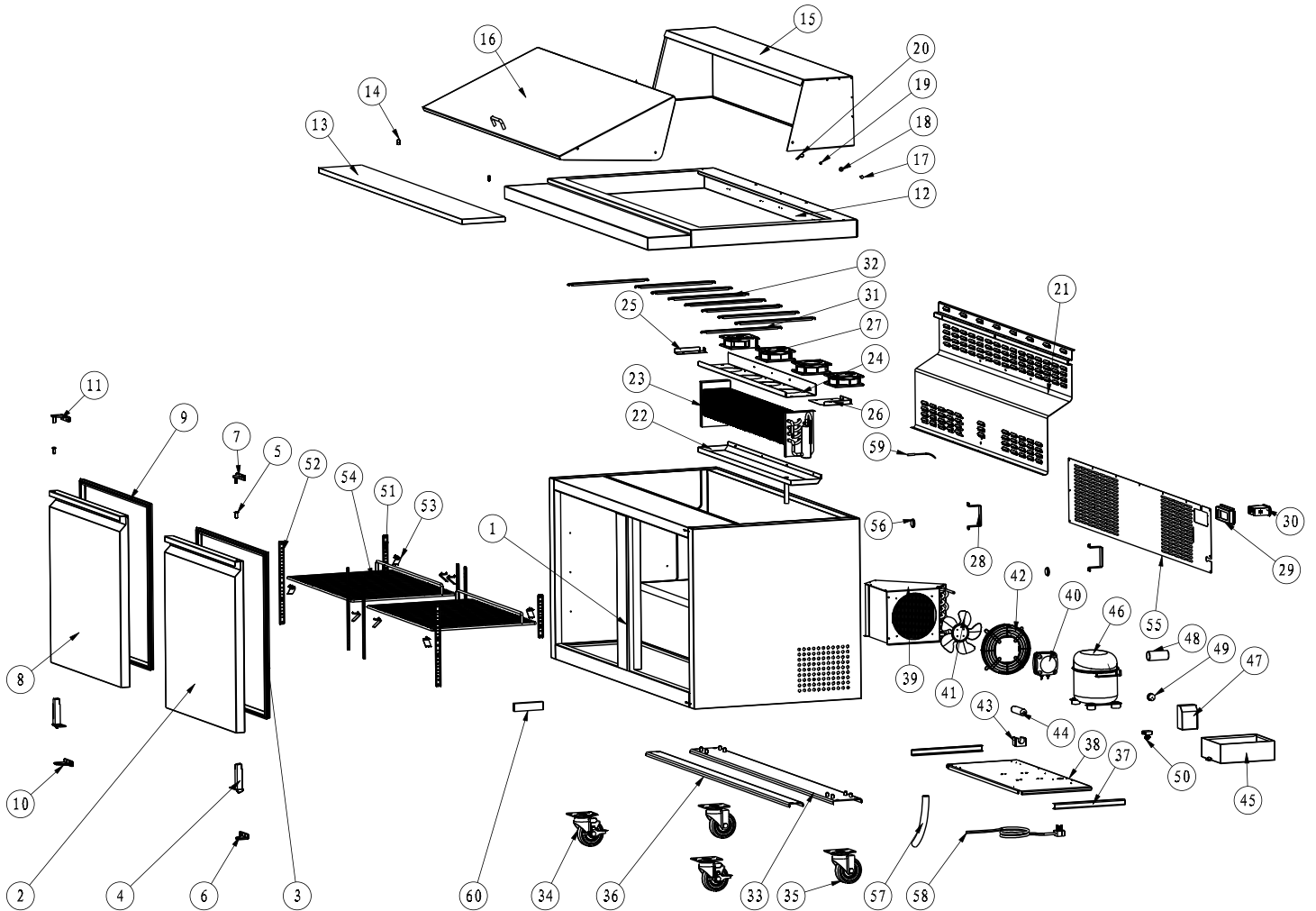
Parts Breakdown

Model PT-CN-1194-H 50050

Item No.	Description	Position	Item No.	Description	Position	Item No.	Description	Position
AF092	Cabinet for 50050	1	AB259	Split Pin for 50050	20	AB213	Condenser for 50050	39
AF093	Right Door for 50050	2	AF099	Evaporator Cover for 50050	21	AB049	Condenser Fan Motor for 50050	40
AB197	Gasket for 50050	3	AF100	Inner Drain Pan for 50050	22	AA208	Condenser Fan Blade for 50050	41
AA955	Left/Right Spring Hinge for 50050	4	26955	Evaporator for 50050	23	AA207	Condenser Fan Motor Cover for 50050	42
AA388	Axis Cover for 50050	5	AF146	Fan Motor Installation Panel for 50050	24	AB595	Filter Fixer for 50050	43
AA360	Bottom Right Hinge for 50050	6	AF102	Left Clapboard of Evaporator for 50050	25	AB594	Filter for 50050	44
AF070	Upper Right Hinge for 50050	7	AF103	Right Clapboard of Evaporator for 50050	26	AB590	Outer Drain Pan for 50050	45
AF094	Left Door for 50050	8	AA128	Condenser Fan Motor for 50050	27	AB592	Compressor for 50050	46
AB197	Gasket for 50050	9	AF080	Stand Off Bracket for 50050	28	AF089	K Strip-2 Holes for 50050	51
AA359	Bottom Right Hinge for 50050	10	AB320	Thermostat Installation Board for 50050	29	AF090	K Strip-3 Holes for 50050	52
AB200	Upper Left Hinge for 50050	11	AA123	Thermostat for 50050	30	26884	K Clip for 50050	53
AF142	Top Board for 50050	12	AF140	Pan Bracket-15 for 50050	31	AB220	Shelf for 50050	54
AF143	Cutting Board for 50050	13	AF141	Pan Bracket-25 for 50050	32	AF107	Back Grill for 50050	55
AB253	Fixer for Cutting Board for 50050	14	AF104	Castor Support for 50050	33	AB169	Foaming Hole Cover for 50050	56
AF144	Back Cover for 50050	15	26246	Caster with Brake for 50050	34	AA133	Drain Hose for 50050	57
AF145	Lid for 50050	16	26247	Caster without Brake for 50050	35	AA135	Power Cord for 50050	58
AB256	Dowel for 50050	17	AF105	Assembling Panel Support for 50050	36	AA379	Temperature Probe for 50050	59
AB257	Plastic Bolt for 50050	18	AF085	Compressor Unit Track for 50050	37	AA596	Thermometer for 50050	60
AB258	Nut for 50050	19	AF106	Compressor Unit Installation Board for 50050	38			

Parts Breakdown

Model PT-CN-1537-HC 50051



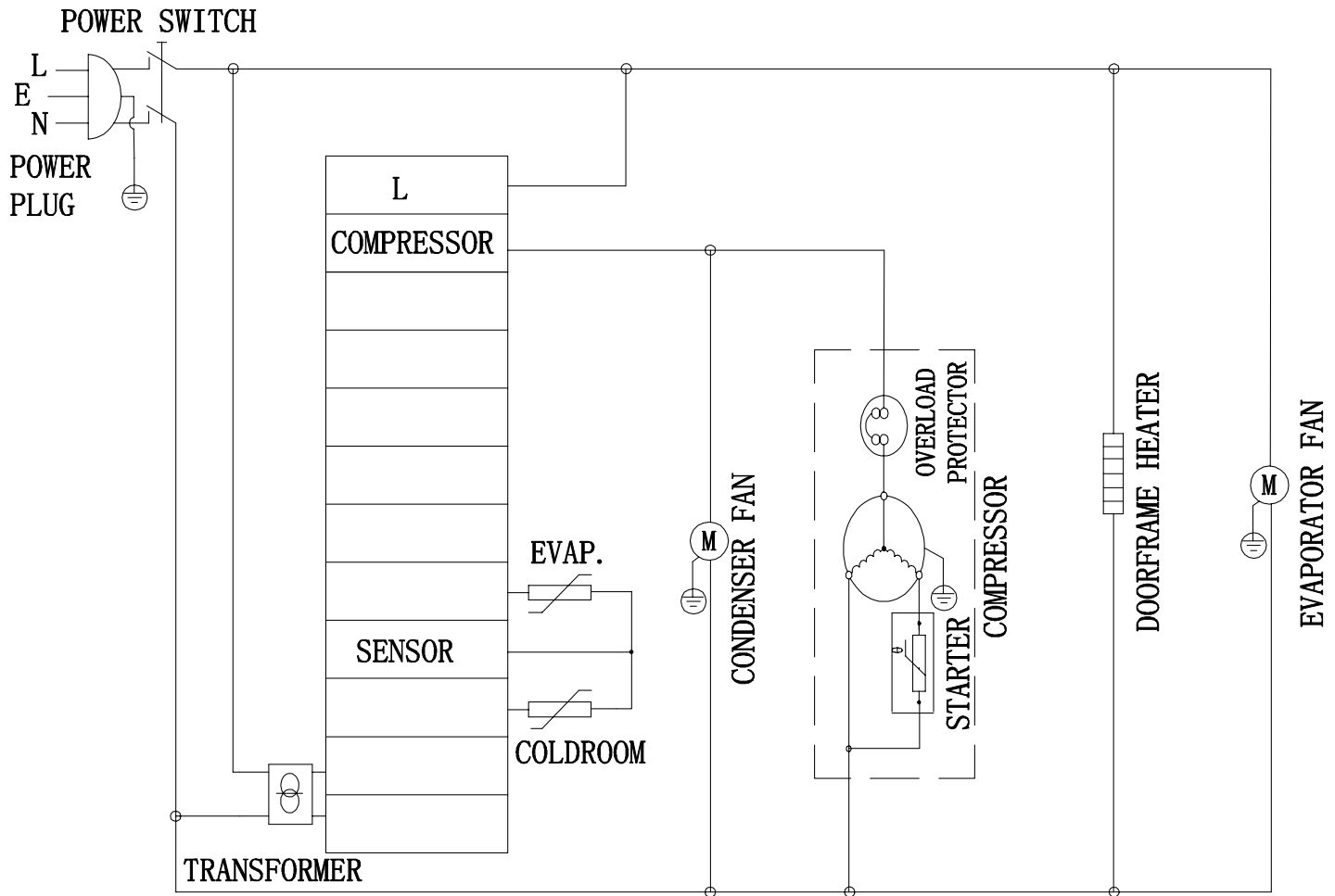
Parts Breakdown

Model PT-CN-1537-HC 50051

Item No.	Description	Position	Item No.	Description	Position	Item No.	Description	Position
AF108	Cabinet for 50051	1	AB259	Split Pin for 50051	20	AB213	Condenser for 50051	39
AF109	Right Door for 50051	2	AF115	Evaporator Cover for 50051	21	AB049	Condenser Fan Motor for 50051	40
AB363	Gasket 720x635mm for 50051	3	AF116	Inner Drain Pan for 50051	22	AA208	Condenser Fan Blade for 50051	41
AA955	Left/Right Spring Hinge for 50051	4	AA171	Evaporator for 50051	23	AA207	Condenser Fan Motor Cover for 50051	42
AA388	Axis Cover for 50051	5	AF151	Fan Motor Installation Panel for 50051	24	AB595	Filter Fixer for 50051	43
AA360	Bottom Right Hinge for 50051	6	AF118	Left Clapboard of Evaporator for 50051	25	AB594	Filter for 50051	44
AF070	Upper Right Hinge for 50051	7	AF119	Right Clapboard of Evaporator for 50051	26	AB590	Outer Drain Pan for 50051	45
AF110	Left Door for 50051	8	AA128	Condenser Fan Motor for 50051	27	AB592	Compressor for 50051	46
AB363	Gasket 720x635mm for 50051	9	AF080	Stand Off Bracket for 50051	28	AF089	K Strip-2 Holes for 50051	51
AA359	Bottom Right Hinge for 50051	10	AB320	Thermostat Installation Board for 50051	29	AF090	K Strip-3 Holes for 50051	52
AB200	Upper Left Hinge for 50051	11	AA123	Thermostat for 50051	30	26884	K Clip for 50051	53
AF147	Top Board for 50051	12	AF140	Pan Bracket-15 for 50051	31	AB388	Shelf for 50051	54
AF148	Cutting Board for 50051	13	AF141	Pan Bracket-25 for 50051	32	AF122	Back Grill for 50051	55
AB253	Fixer for Cutting Board for 50051	14	AF120	Castor Support for 50051	33	AB169	Foaming Hole Cover for 50051	56
AF149	Back Cover for 50051	15	26246	Caster with Brake for 50051	34	AA133	Drain Hose for 50051	57
AF150	Lid for 50051	16	26247	Caster without Brake for 50051	35	AA135	Power Cord for 50051	58
AB256	Dowel for 50051	17	AF121	Assembling Panel Support for 50051	36	AA379	Temperature Probe for 50051	59
AB257	Plastic Bolt for 50051	18	AF085	Compressor Unit Track for 50051	37	AA596	Thermometer for 50051	60
AB258	Nut for 50051	19	AF106	Compressor Unit Installation Board for 50051	38			

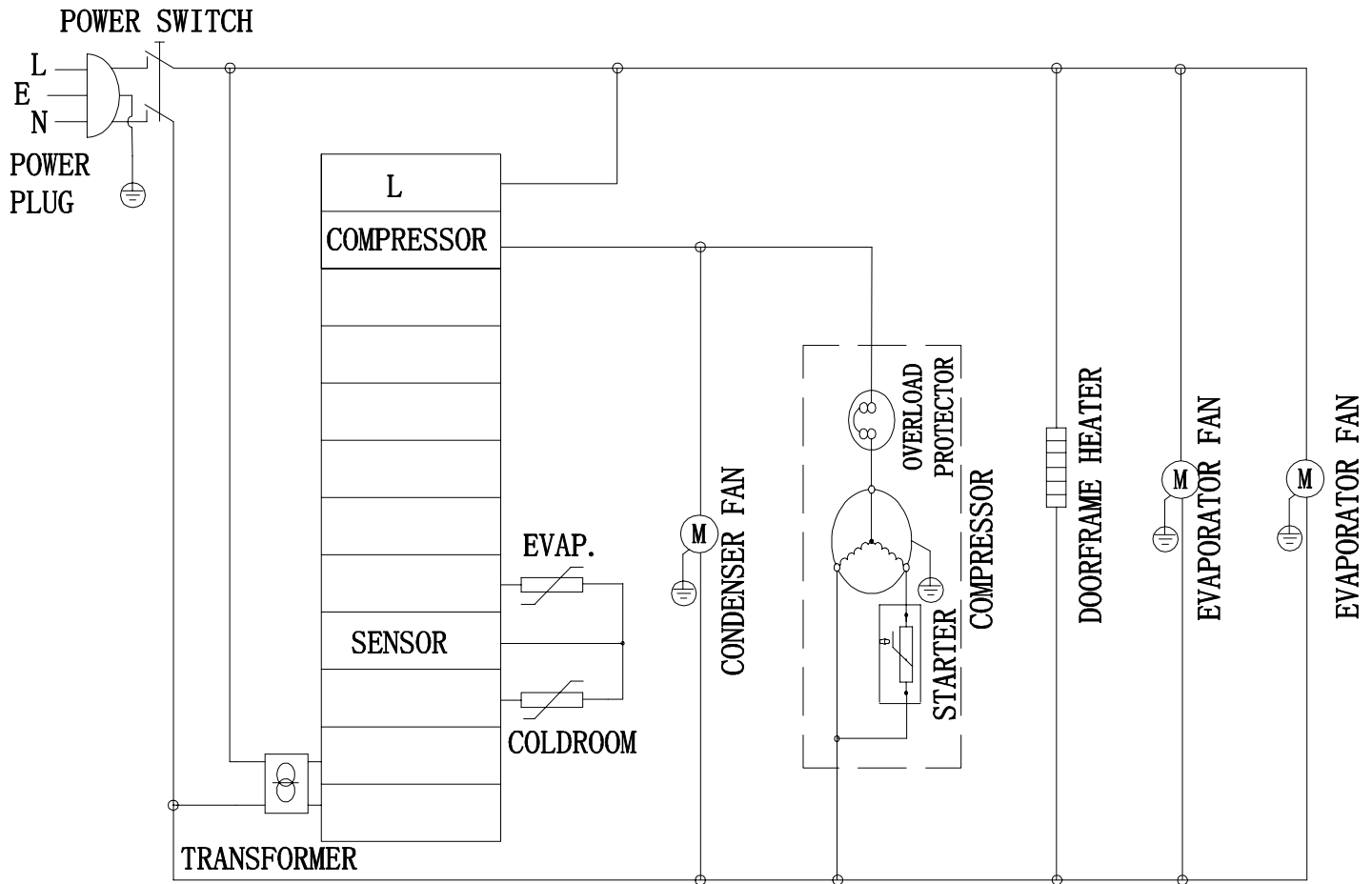
Electrical Schematics

Model PT-CN-0686-HC 50045



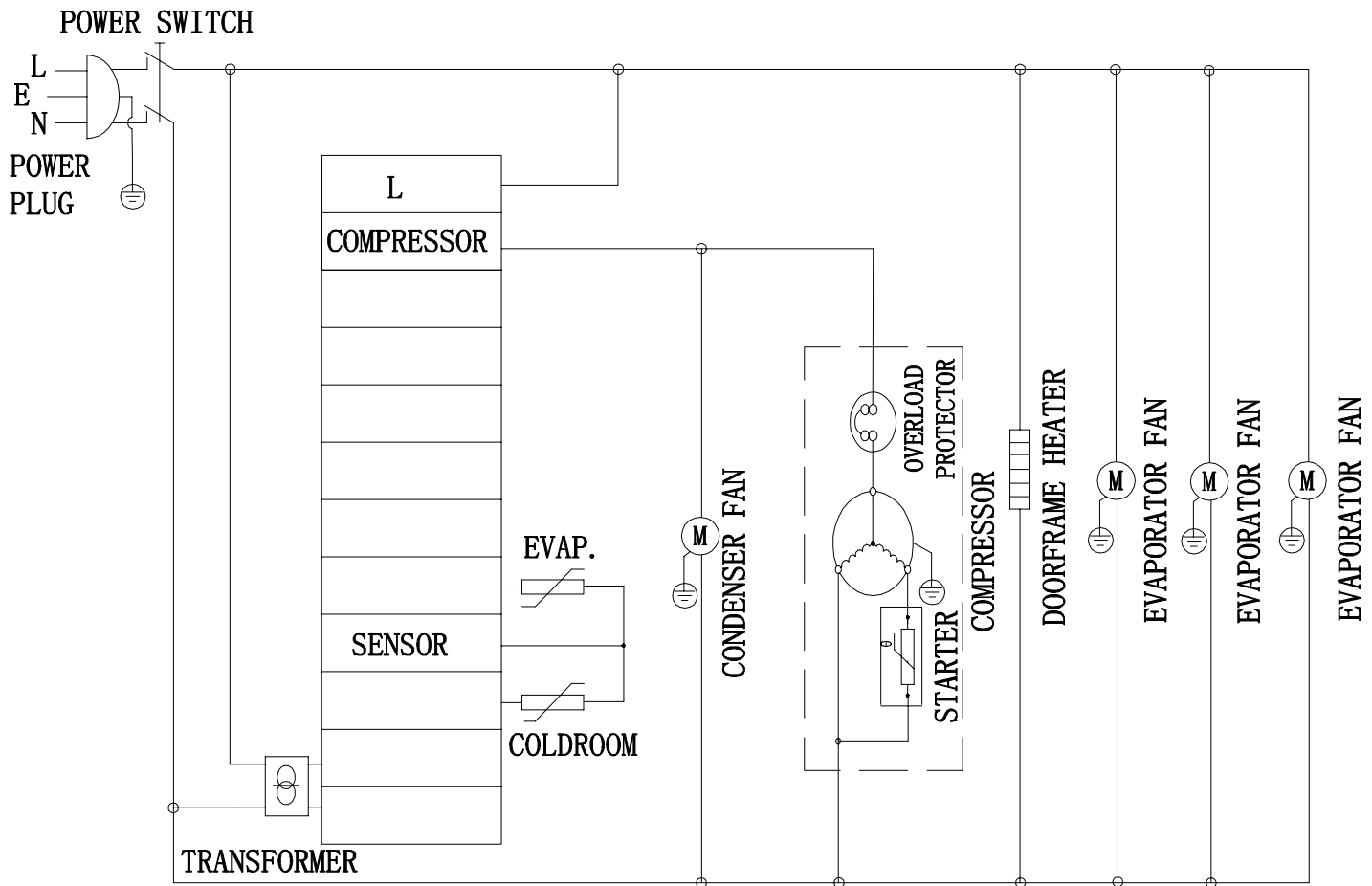
Electrical Schematics

Model **PT-CN-1194-HC** 50046



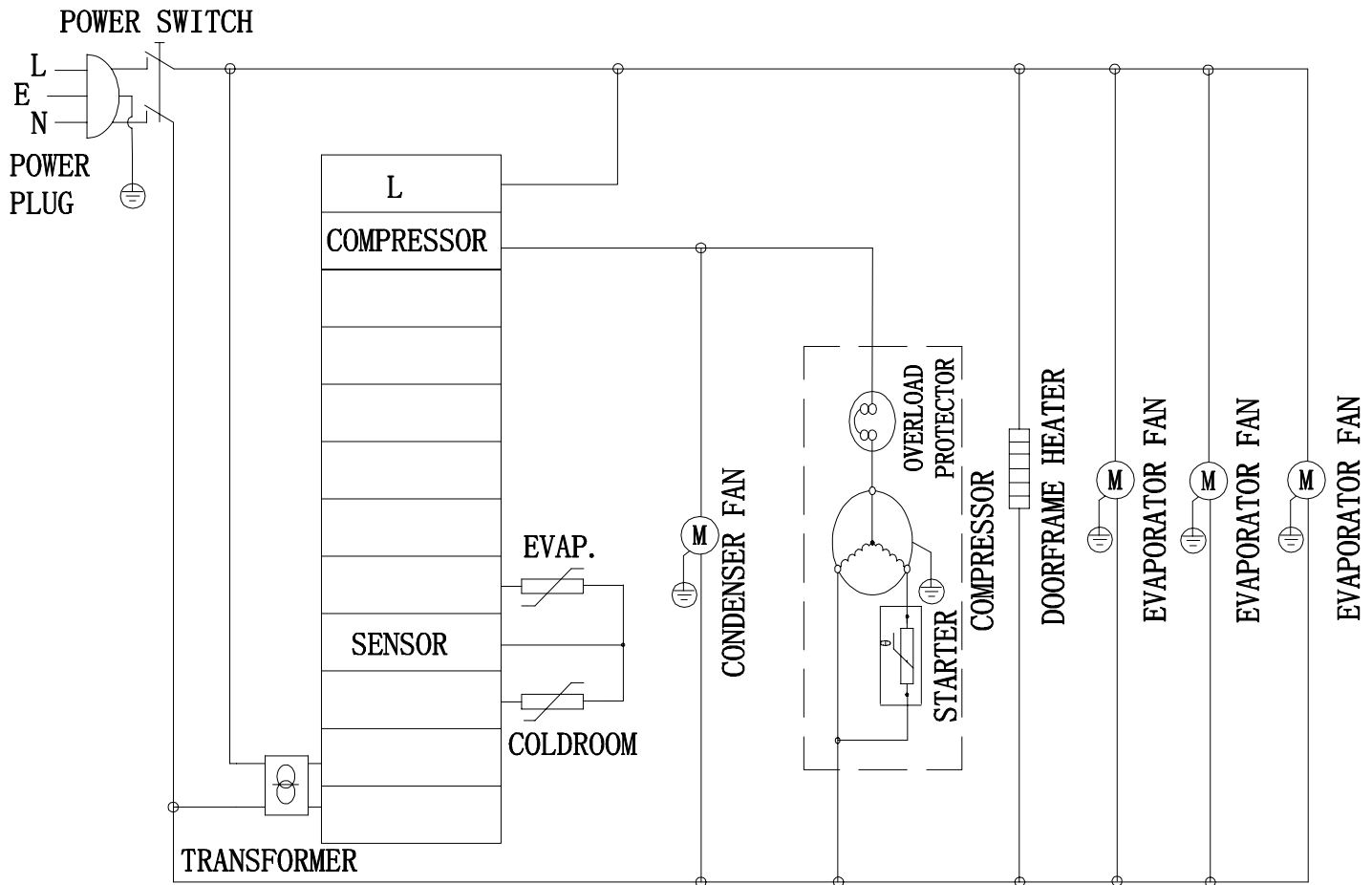
Electrical Schematics

Model PT-CN-1524-HC 50047



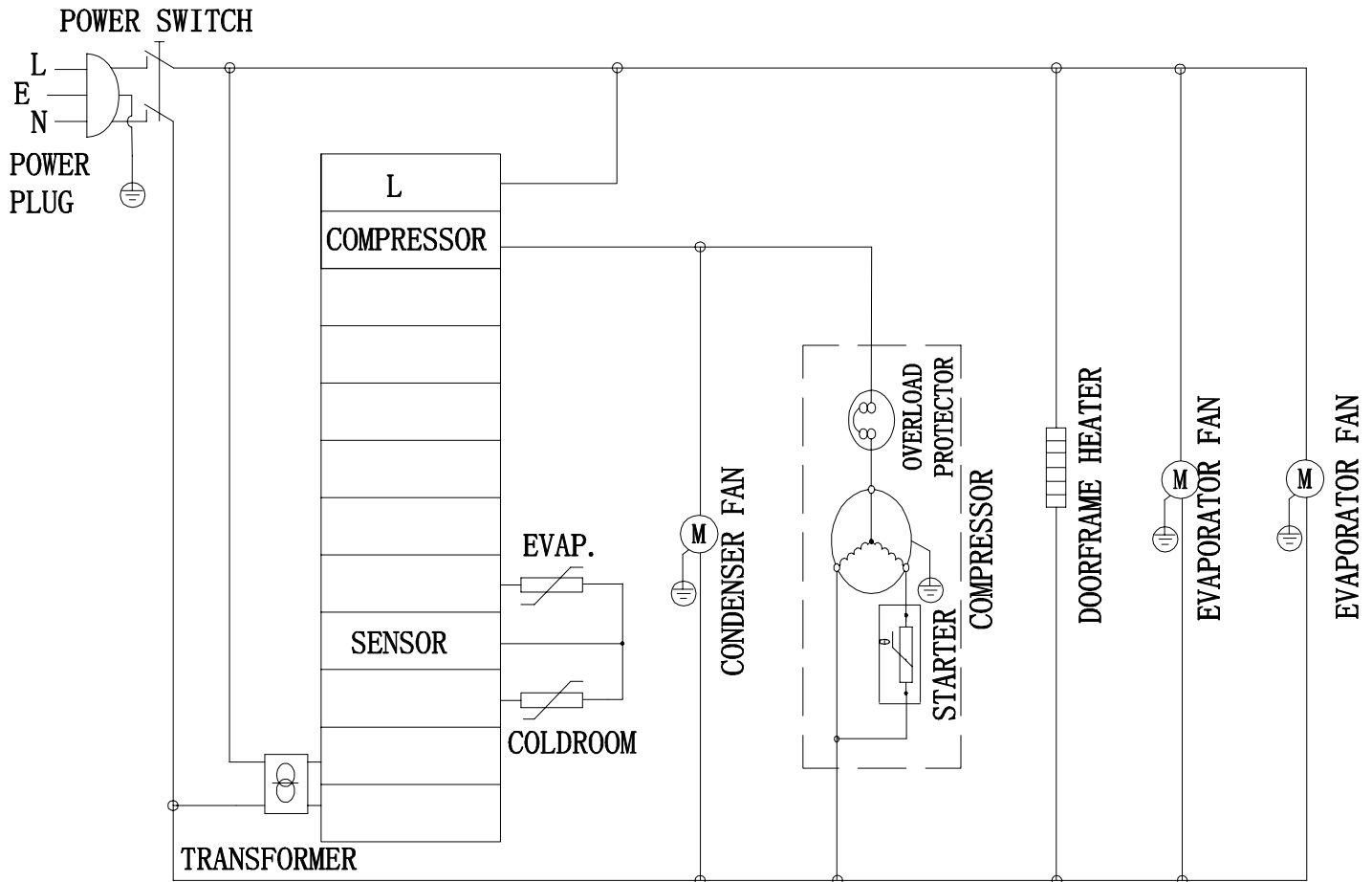
Electrical Schematics

Model **PT-CN-1778-HC** 50048



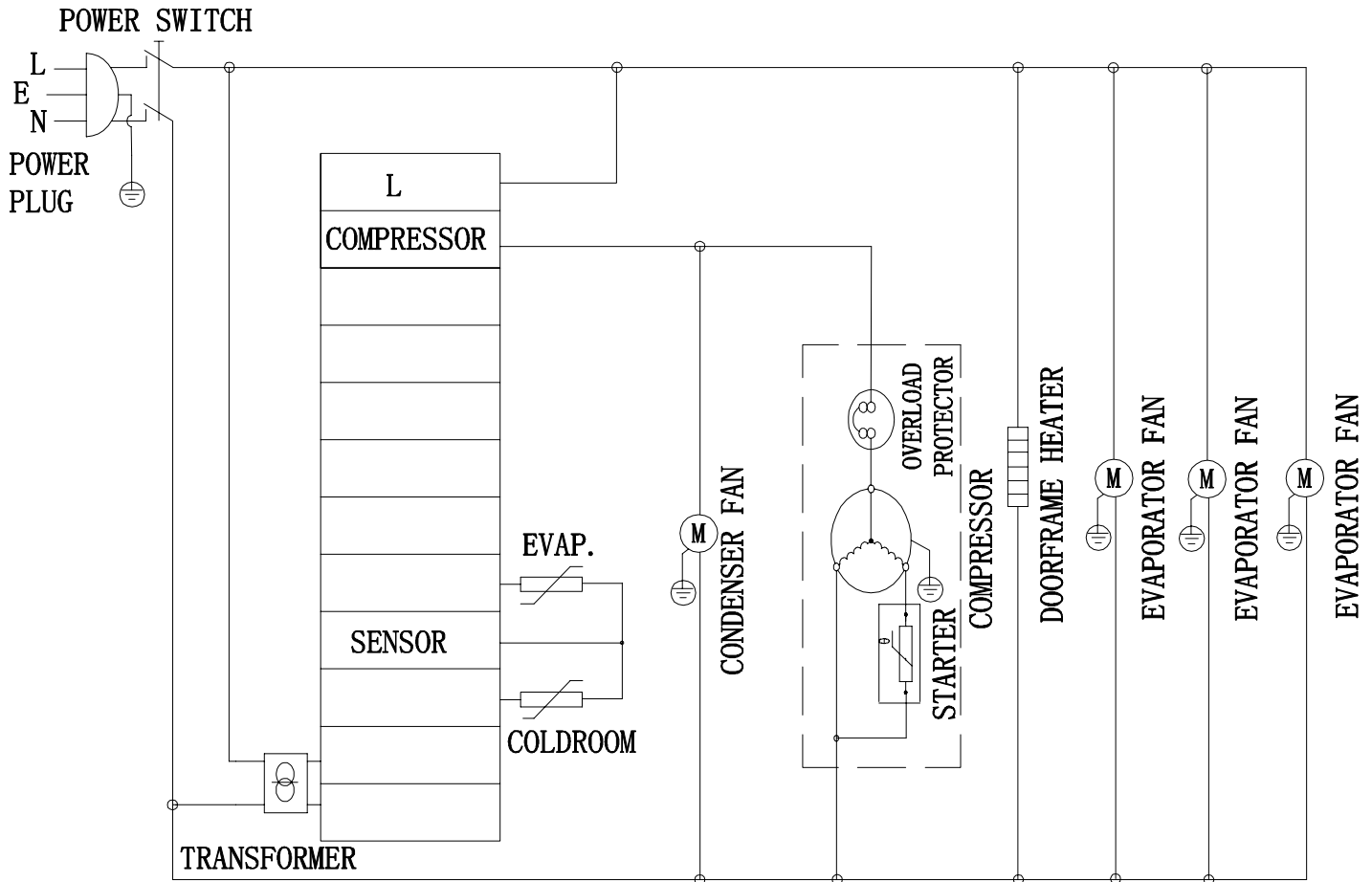
Electrical Schematics

Model PT-CN-0711-HC 50049



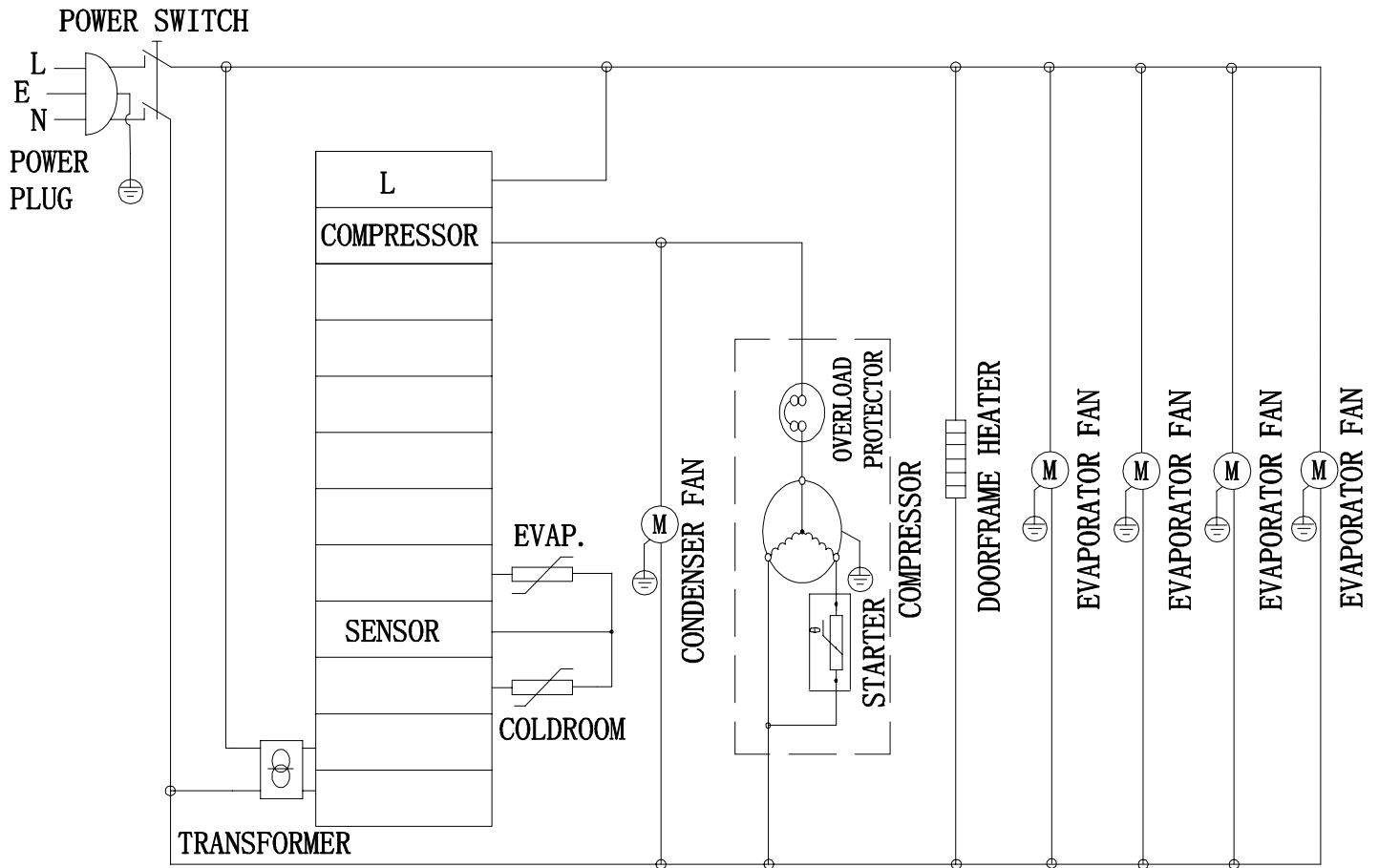
Electrical Schematics

Model PT-CN-1194-H 50050



Electrical Schematics

Model PT-CN-1537-HC 50051





Warranty Registration

Thank you for purchasing an Omcan product. To register your warranty for this product, complete the information below, tear off the card at the perforation and then send to the address specified below. You can also register online by visiting:

Merci d'avoir acheté un produit Omcan. Pour enregistrer votre garantie pour ce produit, complétez les informations ci-dessous, détachez la carte au niveau de la perforation, puis l'envoyer à l'adresse spécifiée ci-dessous. Vous pouvez également vous inscrire en ligne en visitant:

Gracias por comprar un producto Omcan usted. Para registrar su garantía para este producto, complete la información a continuación, cortar la tarjeta en la perforación y luego enviarlo a la dirección indicada a continuación. También puede registrarse en línea en:

<https://omcan.com/warranty-registration/>

For mailing in Canada

Pour postale au Canada

Por correo en Canadá

OMCAN

PRODUCT WARRANTY REGISTRATION

3115 Pepper Mill Court,

Mississauga, Ontario

Canada, L5L 4X5

For mailing in the US

Pour diffusion aux États-Unis

Por correo en los EE.UU.

OMCAN

PRODUCT WARRANTY REGISTRATION

4450 Witmer Industrial Estates, Unit 4,

Niagara Falls, New York

USA, 14305

or email to: service@omcan.com



Purchaser's Information

Name: _____

Address: _____

City: _____ Province or State: _____ Postal or Zip: _____

Country: _____

Dealer from which Purchased: _____

Dealer City: _____ Dealer Province or State: _____

Invoice: _____

Model Name: _____ Model Number: _____

Machine Description: _____

Date of Purchase (MM/DD/YYYY): _____

Would you like to extend the warranty? Yes No

Company Name: _____

Telephone: _____

Email Address: _____

Type of Company:

Restaurant Bakery Deli

Butcher Supermarket Caterer

Institution (specify): _____

Other (specify): _____

Serial Number: _____

Date of Installation (MM/DD/YYYY): _____

Thank you for choosing Omcan | Merci d'avoir choisi Omcan | Gracias por elegir Omcan



Since 1951 Omcan has grown to become a leading distributor of equipment and supplies to the North American food service industry. Our success over these many years can be attributed to our commitment to strengthen and develop new and existing relationships with our valued customers and manufacturers. Today with partners in North America, Europe, Asia and South America, we continually work to improve and grow the company. We strive to offer customers exceptional value through our qualified local sales and service representatives who provide convenient access to over 6,500 globally sourced products.

Depuis 1951 Omcan a grandi pour devenir un des “leaders” de la distribution des équipements et matériel pour l’industrie des services alimentaires en Amérique du Nord. Notre succès au cours de ces nombreuses années peut être attribué à notre engagement à renforcer et à développer de nouvelles et existantes relations avec nos clients et les fabricants de valeur. Aujourd’hui avec des partenaires en Amérique du Nord, Europe, Asie et Amérique du Sud, nous travaillons continuellement à améliorer et développer l’entreprise. Nous nous efforçons d’offrir à nos clients une valeur exceptionnelle grâce à nos ventes locales qualifiées et des représentants de service qui offrent un accès facile à plus de 6500 produits provenant du monde entier.

Desde 1951 Omcan ha crecido hasta convertirse en un líder en la distribución de equipos y suministros de alimentos en América del Norte industria de servicios. Nuestro éxito en estos años se puede atribuir a nuestro compromiso de fortalecer y desarrollar nuevas relaciones existentes con nuestros valiosos clientes y fabricantes. Hoy con socios de América del Norte, Europa, Asia y América del Sur, que trabajan continuamente para mejorar y crecer la empresa. Nos esforzamos por ofrecer a nuestros clientes valor excepcional a través de nuestro local de ventas y representantes de los servicios que proporcionan un fácil acceso a más de 6,500 productos con origen a nivel mundial.

